



## KEY FEATURES

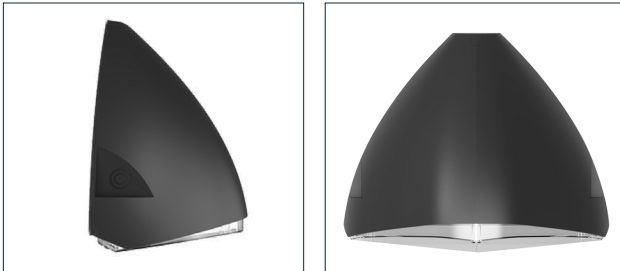
A robust IP65 outdoor wall mounted luminaire with a unique light distribution, ideal for building perimeter applications.

- Unique asymmetric lens with 5 metre forward light throw and 12 metre spacing - ideal for perimeter walkways
- 0% LOR (Upper Light Output Ratio). No light pollution
- Excellent 135 lm/W efficiency
- Long lifetime L80B10 100.000h L90B50>50.000h
- Multi-Watt Driver, with 16 different choices (13-27W / 1850-3600lm)
- Aluminum body (IK10) / Anthracite (RAL7016) and anti-corrosion paint
- Daylight sensor, Motion sensor and Emergency versions available

IP65 IK10  135<sub>LM/W</sub> 

**5** PRAGMALUX  
YEAR  
WARRANTY

## DETAILS



## OPTIONS



## SPECIFICATIONS

ITEM CODE	DESCRIPTION	W	LM	LM/W	KELVIN	CRI	LIFETIME L80
1000886	LED Wall Squalo IP65 13-28W 4000K 1850-3600lm Asym Anthracite RAL7016	13-27	1850-3600	135	4000	≥80	100000
1000886-S	LED Wall Squalo IP65 13-28W 4000K 1850-3600lm Asym Anthracite RAL7016 Motion sensor	13-27	1850-3600	135	4000	≥80	100000
1000886-SN	LED Wall Squalo IP65 13-28W 4000K 1850-3600lm Asym Anthracite RAL7016 Motion sensor-Emergency 3hM	13-27	1850-3600	135	4000	≥80	100000
1000886-DS	LED Wall Squalo IP65 13-28W 4000K 1850-3600lm Asym Anthracite RAL7016 Daglichtsensor	13-27	1850-3600	135	4000	≥80	100000
1000886-DSN	LED Wall Squalo IP65 13-28W 4000K 1850-3600lm Asym Anthracite RAL7016 Daglichtsensor-Emergency 3hM	13-27	1850-3600	135	4000	≥80	100000
1000886-N	LED Wall Squalo IP65 13-28W 4000K 1850-3600lm Asym Anthracite RAL7016 Emergency 3h Manual	13-27	1850-3600	135	4000	≥80	100000
1000879	LED Wall Squalo IP65 13-28W 3000K 1750-3450lm Asym Anthracite RAL7016	13-27	1750-3450	135	3000	≥80	100000
1000879-S	LED Wall Squalo IP65 13-28W 3000K 1750-3450lm Asym Anthracite RAL7016 Motion sensor	13-27	1750-3450	135	3000	≥80	100000
1000879-SN	LED Wall Squalo IP65 13-28W 3000K 1750-3450lm Asym Anthracite RAL7016 Motion sensor-Emergency 3hM	13-27	1750-3450	135	3000	≥80	100000
1000879-DS	LED Wall Squalo IP65 13-28W 3000K 1750-3450lm Asym Anthracite RAL7016 Daglichtsensor	13-27	1750-3450	135	3000	≥80	100000
1000879-DSN	LED Wall Squalo IP65 13-28W 3000K 1750-3450lm Asym Anthracite RAL7016 Daglichtsensor-Emergency 3hM	13-27	1750-3450	135	3000	≥80	100000
1000879-N	LED Wall Squalo IP65 13-28W 3000K 1750-3450lm Asym Anthracite RAL7016 Emergency 3h Manual	13-27	1750-3450	135	3000	≥80	100000

## TECHNICAL DATA

ELECTRICAL DATA	
Voltage (V)	220-240
Frequency (Hz)	50/60
Power factor (λ)	≥0.9
Operating mode	Integrated LED Driver
Total harmonic distortion	≤ 20 %

## TEMPERATURES & OPERATING CONDITIONS

Ambient temperature	25°C
---------------------	------

## COLORS & MATERIALS

Color ( Housing)	Anthracite RAL7016
Material ( Housing)	Die-casting aluminium
Material ( Reflector)	PC

## PRAGMALUX

All rights reserved. Pragmalux - PDL Lighting Group B.V. retains the right to modify product specifications without any prior notice or obligation and does not assume any liability for any consequences of using this document. Subject to errors and printing errors. Luminous flux tolerance: +/- 10%. Power consumption tolerance: +/- 10%.

Version: October 2021

## CERTIFICATES & STANDARDS

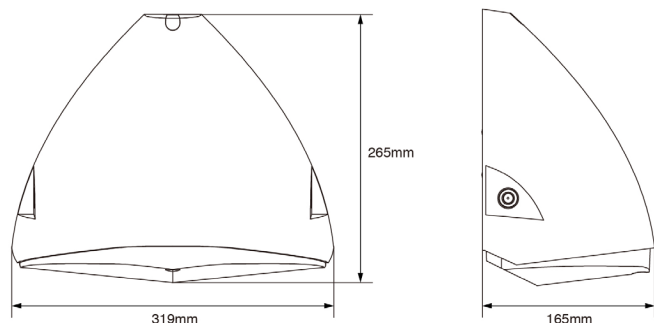
Driver certificates	CE
Fixture certificates	CE
Ingress protection	IP65
Protection class	II
Protection class IK	10
IEC	EN IEC 62722-2-1
LM80 (TM21 /) L90B50 (hours)	>50,000

## CAPABILITIES

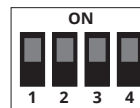
Dimmable	No
Type of connection	Push Terminal, 2-pole
LED Module replacable	No

ITEM CODE	DESCRIPTION	DRIVER FAILURE RATE AT 5,000H	INRUSH CURRENT IPEAK (A)	INRUSH CURRENT TWIDTH (µs)	MAX. NO. OF DRIVERS ON MCB TYPE B 10A	MAX. NO. OF DRIVERS ON MCB TYPE B 16A	MAX. NO. OF DRIVERS ON MCB TYPE C 10A	MAX. NO. OF DRIVERS ON MCB TYPE C 16A
1000886	LED Wall Squalo IP65 13-28W 4000K 1850-3600lm	≤1%	5	50	31	50	52	85
1000879	LED Wall Squalo IP65 13-28W 3000K 1850-3600lm	≤1%	5	50	31	50	52	85

## DIMENSIONS



## DAYLIGHT SENSOR

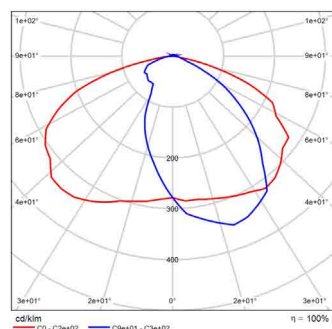


	1	2	3	4	ON	OFF
I	ON	ON	ON	ON	5lux	25lux
II	ON	ON	ON	-	10lux	50lux
III	ON	ON	-	ON	25lux	75lux
IV	ON	ON	-	-	50lux	100lux
V	ON	-	ON	-	100lux	200lux
VI	ON	-	-	-	150lux	300lux
VII	-	ON	-	-	200lux	400lux
VIII	-	-	-	-	Disable	

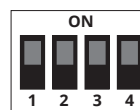
When the lux level is below selected setting of 5, 10, 25, 50, 100, 150 or 200 lux (night/dusk) the lamp turns on. At dawn when the lux level is above 25, 50, 75, 100, 200, 300 or 400 lux the lamp will turn off and remain off. The lamp will not turn on during daytime.

## PHOTOMETRIC SPECIFICATIONS

### LED WALL SQUALO 28W 3500LM 4000K



## DIPSWITCHES



	350mA		500mA		725mA	
	W	lm	W	lm	W	lm
3000K	13	1750	18	2400	27	3450
4000K	13	1850	18	2550	27	3600

1	2	3	4	mA
OFF	OFF	OFF	OFF	350
OFF	ON	ON	OFF	500
ON	ON	ON	ON	725

## EXTRA

